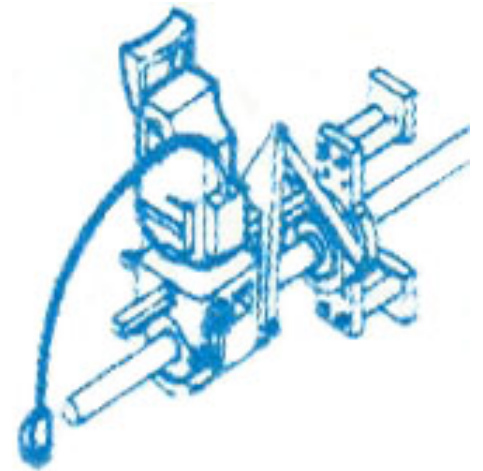


The BB2020, with a 1.25" bar all-in-one rotational drive and axial feed, is our most compact boring bar.

With its .6 HP motor, the BB2020 still has the power to get the job done on hinge points, pin holes, buckets, axle sleeves and bearing seats.

Technical Details

- BORING DIAMETER - 1.5" - 5" (38 - 127mm)
- MAXIMUM STROKE - 10" (254mm)
- MAXIMUM TORQUE @ BAR - 40 ft/lb (54 N/m)
- POWER OPTIONS - Electric

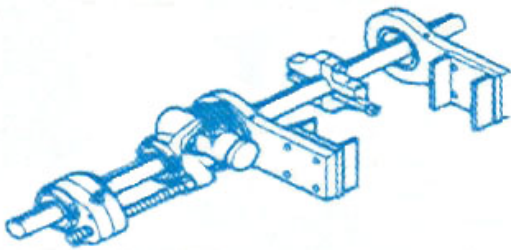


The BB1149 is a compact, powerful and versatile portable bar for blind boring and line boring.

Modular components allow you to place the rotational drive and feed unit any place on the bar for increased Versatility.

Technical Details

- BORING DIAMETER - 2.5" - 24" (63.5 - 610 mm)
- MAXIMUM STROKE - 24" (609.6 mm)
- MAXIMUM TORQUE @ BAR - 417 ft/lbs (567 N/m)
- POWER OPTIONS - Electric and Hydraulic



Bolting The World's Critical Joints

Tel: 1-780-413-6872

Fax: 1-780-413-6873

www.integratechnologies.com